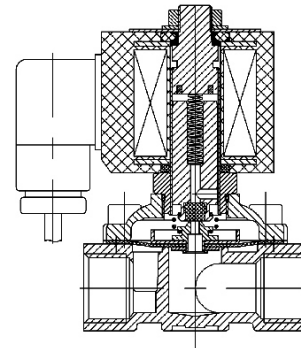


# Fountain valve

# direct lifting diaphragm type

®

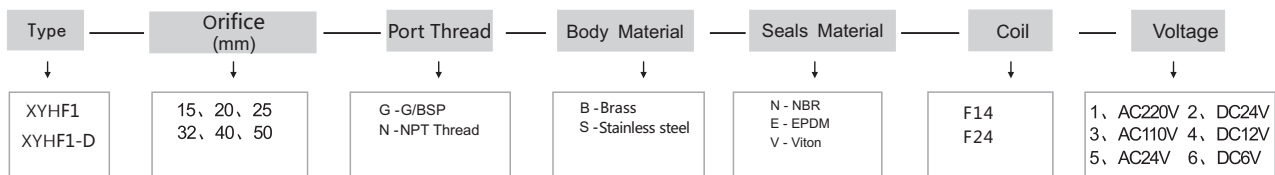
Characteristic: Waterproof coils for fountains  
 Medium: water  
 Temperature: NBR:-10°C~80°C  
 EPDM:-30°C~120°C  
 VITON:-30°C~150°C  
 Pressure: 0.03MPa ~ 0.5MPa  
 Port Thread: NPT , G  
 Port Size: 1/ 2", 3/4", 1", 1 1/4", 1 1/2", 2", F 2 1/2", F3", F4"  
 Orifice (mm): 15, 20, 25, 32, 40, 50  
 Voltage: DC-12V , 24V , 36V  
 AC-24V, 120V, 240V/60Hz; 110V, 220V/50Hz  
 Scope: ±10%  
 Coils: F14, 20VA(AC), 15W(DC), Ip68, 100%ED  
 F24, 20VA(AC), 15W(DC), Ip68, 100%ED  
 Material: Body-Brass/Stainless steel  
 Seal -Viton/NBR/EPDM  
 Armature - SUS304  
 Plunger - 1J117  
 Stop - 1J117  
 Springs - SUS304  
 Shading Rings - Copper



## XYHDF1 with coil F14 / F24 , NC

Valve Body	Port size	Orifice (mm)	Cv	Min Pressure	Max Pressure		Seals Material	Body Material	Coil	
					AC(20VA)	DC(15VA)			F14	F24
XYHF115X X X	1/2"	15	4.5	0.00MPa	0.5MPa	0.5MPa	NBR EPDM Viton PTFE	Brass Stainless steel	F14	F24
XYHF120X X X	3/4"	20	9.3	0.00MPa	0.5MPa	0.5MPa			F14	F24
XYHF125X X X	1"	25	12	0.00MPa	0.5MPa	0.5MPa			F14	F24
XYHF132X X X	1 1/4"	32	22	0.00MPa	0.5MPa	0.5MPa			F14	F24
XYHF140X X X	1 1/2"	40	30	0.00MPa	0.5MPa	0.5MPa			F14	F24
XYHF150X X X	2"	50	48	0.00MPa	0.5MPa	0.5MPa			F14	F24

## Determine valve body code



Example : XYHF1-15-GBN-F14-1, XYHF1 series, NC, 15mmOrifice , G1/2"Port Thread, brass body,NBR Seals , coil F14, AC220V,DIN.